

UKCA Type Examination Certificate

This is to certify that:

Dewhurst UK Limited
Unit 9 Hampton Business Park
Hampton Road West
Feltham, Middlesex
TW13 6DB
United Kingdom

Holds Certificate Number:

UKCA 598698

In respect of:

Landing Door Locking Device
Model: FL16

On the basis of our examination of products under the requirements of Annex IV:A of the Lift Regulations 2016 as amended by The Product Safety and Metrology etc. (Amendment etc.)(EU Exit) Regulations 2020 (SI 2020/676) Safety Components of Lifts as recorded in the BSI Report they were found to comply with the Essential Requirements as detailed in Schedule 1 of the Regulations. Any modification to the design of these products will invalidate this UKCA certificate and the Approved Body, number 0086 must be informed without delay.

For and on behalf of BSI, an Approved
Body for the above Regulation
(Approved Body Number 0086):

Frank Lee, Product Certification Technical and Compliance Director

First Issued: 2014-01-21
Latest Issue: 2021-04-21

Effective Date: 2021-04-21

Page: 1 of 3

...making excellence a habit.™

UKCA Type Examination Certificate

No. UKCA 598698

This EU Type Examination Certificate is only valid when a landing door locking device, model FL16 (available in right and left hand versions), is installed in accordance with the manufacturer's installation instructions and under the following conditions:

1.	Maximum rated voltage:	300V	230V
2.	Maximum rated current:	2 amps	0.6 amps
3.	Type of current AC/DC:	AC	DC
4.	Minimum engagement: (mm)	8.38	
5.	Mechanical checking device incorporated:	N/A	
6.	Material types for insulators:	940A or 943A LEXAN	
7.	Centre/Side/ Hinged opening doors:	Side opening	
8.	Multi-panel/single panel doors:	Multi-panel/single panel	
9.	Harmonised Standard(s):	BS EN 81-20:2014 - Safety rules for the construction and installation of lifts - Lifts for the transport of persons and goods Part 20: Passenger and goods passenger lifts. BS EN 81-50:2014 - Safety rules for the construction and installation of lifts - Examinations and tests Part 50: Design rules, calculations, examinations and tests of lift components.	
10.	Manufacturing sites:		
	Dewhurst UK Ltd. Unit 9-11 Hampton Business Park, Bolney Way, Feltham TW13 6DB UK		
Type testing undertaken by BSI, UK as detailed in technical documentation review under BSI Report 289/7985564 dated 14/01/2014 and 289/8783734 Issue 2 dated 18/09/2018 .			

First Issued: 2014-01-21

Effective Date: 2021-04-21

Latest Issue: 2021-04-21

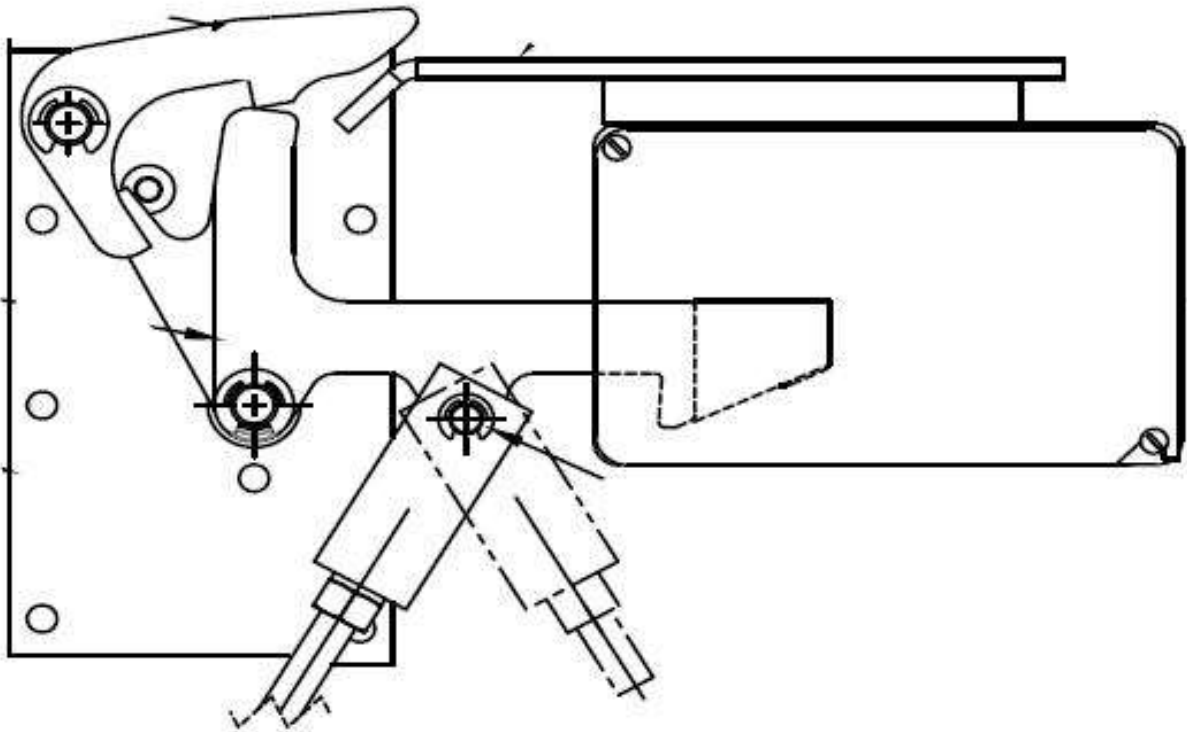
Page: 2 of 3

This certificate has been issued by and remains the property of BSI Assurance UK Ltd, Kitemark Court, Davy Avenue, Knowlhill, Milton Keynes MK5 8PP, United Kingdom and should be returned immediately upon request.
To check its validity telephone +44 (0) 345 080 9000. An electronic certificate can be authenticated [online](#).

UKCA Type Examination Certificate

No. UKCA 598698

Product Drawing



First Issued: 2014-01-21

Effective Date: 2021-04-21

Latest Issue: 2021-04-21

Page: 3 of 3

This certificate has been issued by and remains the property of BSI Assurance UK Ltd, Kitemark Court, Davy Avenue, Knowlhill, Milton Keynes MK5 8PP, United Kingdom and should be returned immediately upon request.
To check its validity telephone +44 (0) 345 080 9000. An electronic certificate can be authenticated [online](#).

BSI Assurance UK Limited, registered in England under number 7805321 at 389 Chiswick High Road, London W4 4AL, UK.
A member of BSI Group of Companies.