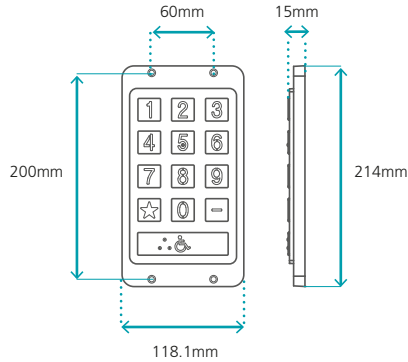
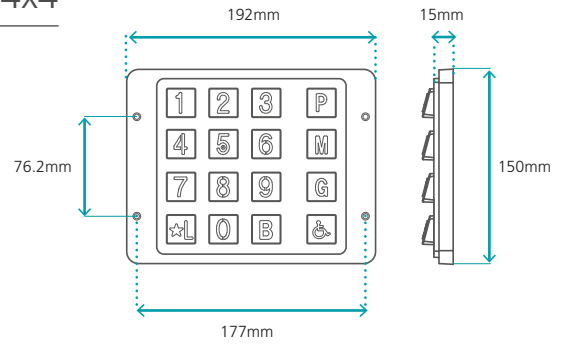


En-Pad Keypad order form | Please choose your options

En-Pad 4x3



En-Pad 4x4



1 Body



Black body

Chrome body



Black body

Chrome body

2 Key shape

Angled

Flat

3 Key colour

Black key

Chrome key

4 Legend

Flush

Tactile

5 Options

Pip on 5 key

5

Yes

No

Wheelchair key options (4x3)



ENTER moulded legend

Speaker grille (stainless option)

EN wheelchair symbol without pips (left)

EN wheelchair symbol with pips

ANSI wheelchair symbol with pips

Special keys (4x4)

P L G

M B Blank

Other: _____

