

Lantern

Type UL200-2D Lantern Arrow

Publication Number: PB184/0517

Application

The UL200-2D LED Illuminated Lantern Arrow is an economically priced vandal resistant arrow, whose clean design will match the decor of any lift.

The high brightness LED illumination ensures a brilliant and clearly illuminated arrow, easily visible at long distances and from wide angles. This product meets the requirements of EN81-70 for landing signals.

LED Illumination

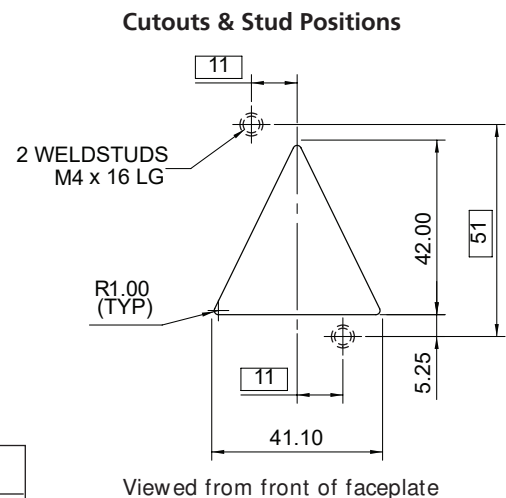
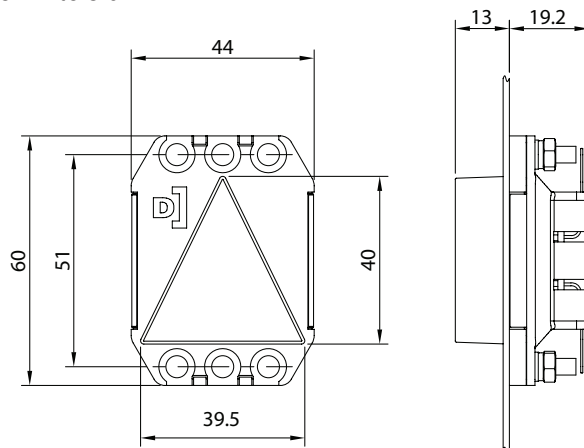
The two surface mounted LED's brightly illuminate the arrow. 12V or 24V units are available and both will accept a.c. or full wave rectified d.c. with a $\pm 15\%$ voltage tolerance, taking approximately 20mA of current. The average operating life of the UL200-2D LED Lantern Arrow is in excess of 100,000 hours. Colours available are red, green, blue and white.

Construction

The low profile lantern body and front arrows are made from flame retardent polycarbonate to provide a high degree of vandal resistance.

Connections are by 250 series female, fully insulated connectors.

UL200 Low Profile Lantern arrow can be supplied loose or incorporated into stations with faceplate thickness ranging from 1.5mm to 3.0mm.



Voltage	Colour	Part Number
12V	Red	551699-000009001
	Green	551699-000009021
	White	551699-000009041
	Blue	551699-000009071
	Amber	551699-000009101
24V	Red	551699-000009011
	Green	551699-000009031
	White	551699-000009051
	Blue	551699-000009081
	Amber	551699-000009111