

Dewhurst M-20 Key Switch (standard depth)

The M-20 range of key switches is designed to meet the requirements of all lift applications. Dewhurst key switches are designed to complement our range of M-20 pushbuttons and indicators. The key switches are available in a wide range of options. These include stainless steel or brass front plate finishes and flat keys, triangular keys or radial (high security) keys. They are suitably rated to cater for typical applications in lift installations requiring key switch control such as fans, lighting and transfer of car operation controls.

Features & Benefits

- Wide range front plate finishes
- Wide range of contact configurations
- Three key lock options (flat, radial & triangular as required by EN81-72 §5.8.1)
- Matching range of pushbuttons and hidden legends
- Studless mounting
- Can accommodate 1.0 mm to 3.0 mm faceplates
- Low profile range also available
- Surround options available to match pushbuttons or hidden legends
- Meets EN81-20/50, EN81-70, EN81-72 & EN60529 (IP54)

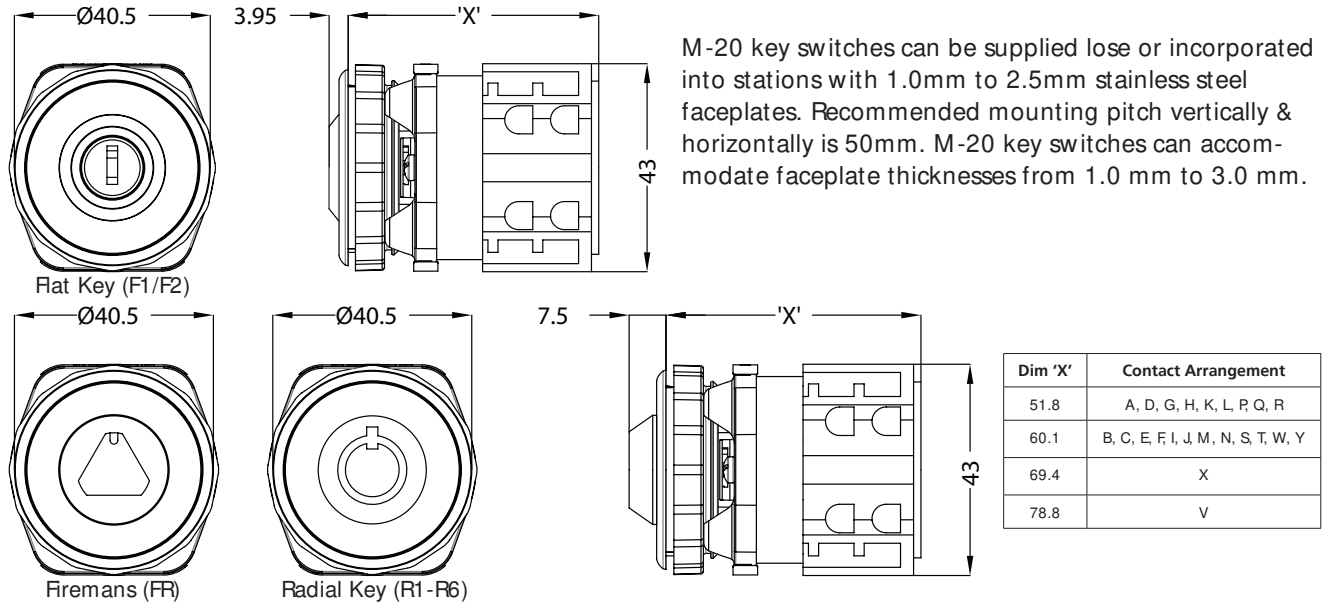


Finishes & Marking

- Wide range of front plate finishes - brush/mirrored stainless steel and brush/mirrored brass
- Brush finish front plates can be engraved or laser marked with text as an option
- Range of surround finishes - satin chrome*, mirrored chrome, brass and black
- Flat key lock is available in chrome or brass finish. All other locks are chrome finish

* Standard with brush stainless steel front plate

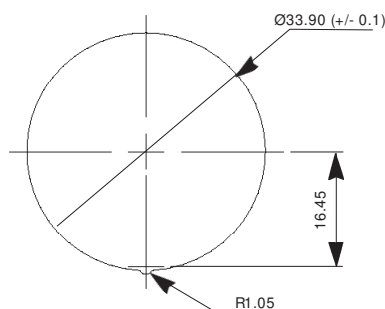
Dimensions



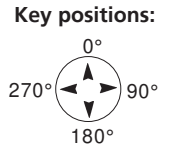
Technical Details

Weight:	xxgrms (typical)
Moulded in:	High grade polycarbonate (flame retardant)
Key switch overall size:	42.0mm w x 43.0mm h x d (see Dim 'X' in table above & add lock protrusion)
Contact rating:	5A@240VAC, 6.0A@110VDC, 20A@24VDC
Wire gauge per terminal:	2 x 2.5mm ²
Surround finish:	Satin chrome, mirrored chrome, brass or black
Pressel plate size:	Ø35.0 mm
Pressel plate material:	Brush stainless steel, mirrored stainless steel, brush brass or mirrored brass
Approved to:	UL, CSA, LUL
Code compliance:	Meets EN81-20/50, EN81-72, EN60947-3, IEC 60947-3, VDE 0660 Part 107
IP Rating:	EN60529 (IP54) frontal presentation

Cutouts Details



	Movement	Flat key type & release	Round key type & release	Contact options
Standard Movement	0°-90°	F1 F2	R1 R2	A or B or C only
	270°-0°	F1 F2	R1 R5	D or E or F only
	270°-0°-90°	F1 F2	R1 R2 R3 R5	G or H or I or J or T only
	360°	F1 F2	R6 R4	K or L or M or N only
Spring Movement	0°-45°	F1	R1	P or Q or R only
	315°-0°-45°	F1	R1	S or U or W or X only



Options	Style/shape	Finish		Mechanical	
	Round (Deep/Standard Depth)	Stainless Steel	Brass	Key type & release option	Contact
Code	KM20RD	BS MS	BB MB	Select one of F1/ F2 or R1-R6 FR = FREMANS	Select one of A-Y using table below

ORDERING

To order, combine the finish and the mechanical. For example, if you require a M-20 round deep keyswitch in brushed stainless steel to go 0-90° with a flat key and contact A, the code is KM20RD BS F1 A.

BS = Brushed Stainless Steel, MS = Mirrored Stainless Steel, BB = Brushed Brass, MB = Mirrored Brass

A KEY POSITION				
CONTACT	0°	90°	180°	270°
1-2	O	C	-	-
3-4	O	C	-	-
-	-	-	-	-
-	-	-	-	-

MOVEMENT 90°

G KEY POSITION				
CONTACT	0°	90°	180°	270°
1-2	O	C	-	O
3-4	O	O	-	C
-	-	-	-	-
-	-	-	-	-

MOVEMENT 180°

M KEY POSITION				
CONTACT	0°	90°	180°	270°
1-2	O	C	C	C
3-4	C	C	O	C
5-6	C	O	O	O
7-8	O	O	C	O

MOVEMENT 360°

T KEY POSITION				
CONTACT	0°	90°	180°	270°
1-2	C	O	-	O
3-4	O	C	-	O
5-6	O	O	-	C
-	-	-	-	-

MOVEMENT 180°

Y KEY POSITION				
CONTACT	0°	90°	180°	270°
1-2	O	C	O	-
3-4	C	O	C	-
5-6	O	O	C	-
7-8	C	C	O	-

MOVEMENT 180°

B KEY POSITION				
CONTACT	0°	90°	180°	270°
1-2	O	C	-	-
3-4	O	C	-	-
5-6	O	C	-	-
7-8	O	C	-	-

MOVEMENT 90°

H KEY POSITION				
CONTACT	0°	90°	180°	270°
1-2	O	C	-	O
3-4	C	O	-	O
-	-	-	-	-
-	-	-	-	-

MOVEMENT 180°

N KEY POSITION				
CONTACT	0°	90°	180°	270°
1-2	O	C	C	C
3-4	C	C	O	C
5-6	O	C	C	C
7-8	C	C	O	C

MOVEMENT 360°

U KEY POSITION				
CONTACT	0°	45°	270°	315°
1-2	O	C	-	C
3-4	C	O	-	O
-	-	-	-	-
-	-	-	-	-

SPRING RETURN TO 0°

C KEY POSITION				
CONTACT	0°	90°	180°	270°
1-2	O	C	-	-
3-4	C	O	-	-
5-6	O	C	-	-
7-8	C	O	-	-

MOVEMENT 90°

I KEY POSITION				
CONTACT	0°	90°	180°	270°
1-2	O	C	-	O
3-4	C	O	-	C
5-6	O	O	-	C
7-8	C	C	-	O

MOVEMENT 180°

P KEY POSITION				
CONTACT	0°	45°	180°	270°
1-2	O	C	-	-
3-4	O	C	-	-
-	-	-	-	-
-	-	-	-	-

SPRING RETURN TO 0°

V KEY POSITION									
CONTACT	0°	45°	90°	135°	180°	225°	270°	315°	
1-2	C	O	O	O	O	O	O	O	O
3-4	O	O	O	O	C	O	O	O	O
5-6	O	C	O	O	O	O	O	C	O
7-8	O	O	O	O	O	O	C	O	O
9-10	O	O	C	O	O	O	O	O	O
11-12	O	O	O	O	O	O	C	O	O
13-14	O	O	O	C	O	O	O	O	O
15-16	O	O	O	O	O	O	O	O	C

MOVEMENT 360°

D KEY POSITION				
CONTACT	0°	90°	180°	270°
1-2	O	-	-	C
3-4	O	-	-	C
-	-	-	-	-
-	-	-	-	-

MOVEMENT 90°

J KEY POSITION				
CONTACT	0°	90°	180°	270°
1-2	O	C	-	O
3-4	O	C	-	O
5-6	O	O	-	C
7-8	O	O	-	C

MOVEMENT 180°

Q KEY POSITION				
CONTACT	0°	45°	180°	270°
1-2	O	C	-	-
3-4	C	O	-	-
-	-	-	-	-
-	-	-	-	-

SPRING RETURN TO 0°

W KEY POSITION				
CONTACT	0°	90°	180°	270°
1-2	C	O	O	O
3-4	O	O	C	O
5-6	O	C	O	O
7-8	O	O	O	C

MOVEMENT 360°

E KEY POSITION				
CONTACT	0°	90°	180°	270°
1-2	O	-	-	C
3-4	O	-	-	C
5-6	O	-	-	C
7-8	O	-	-	C

MOVEMENT 90°

K KEY POSITION				
CONTACT	0°	90°	180°	270°
1-2	O	C	O	C
3-4	C	O	C	O
-	-	-	-	-
-	-	-	-	-

MOVEMENT 360°

R KEY POSITION				
CONTACT	0°	45°	180°	270°
1-2	C	O	-	-
3-4	C	O	-	-
5-6	-	-	-	-
7-8	-	-	-	-

SPRING RETURN TO 0°

X KEY POSITION				
CONTACT	0°	45°	315°	-
1-2	O	C	O	-
3-4	O	C	O	-
5-6	O	C	O	-
7-8	O	O	C	-
9-10	O	O	C	-
11-12	O	O	C	-

SPRING RETURN TO 0°

F KEY POSITION				
CONTACT	0°	90°	180°	270°
1-2	O	-	-	C
3-4	C	-	-	O
5-6	O	-	-	C
7-8	C	-	-	O

MOVEMENT 90°

L KEY POSITION				
CONTACT	0°	90°	180°	270°
1-2	C	O	O	C
3-4	O	O	O	C
-	-	-	-	-
-	-	-	-	-

MOVEMENT 360°

S KEY POSITION				
CONTACT	0°	45°	270°	315°
1-2	O	C	-	O
3-4	O	C	-	O
5-6	O	O	-	C
7-8	O	O	-	C

SPRING RETURN TO 0°

Cleaning your M-20 Key Switch

Many **Dewhurst** lift products are made of **polycarbonate** (Using GE's **Lexan®** or Bayer's **Makrolon®**).

The M-20 is highly durable and vandal resistant but the plastic parts can be damaged by aggressive cleaning agents, Dewhurst therefore recommends:



Clean the part with a **cotton cloth and warm water** before applying the cleaning product



Use **PH-neutral or slightly acid cleaning products only** (including aromatised ones) Ethylic alcohol, isopropyl alcohol or ethylene glycol based multipurpose cleaning products and dish soaps are suggested.



Dilute the cleaning product in warm water and apply using a wet cotton cloth.



Grease, glue and paint may be removed with ethylic alcohol or isopropyl alcohol.

Recommended Cleaning Products (*):

Europe	North America
Windus - Brial Top - Ecolab Mr. Proper Surfaces Delicates - Proctor & Gamble Palmolive, Colgate Palmolive	Formula 409® Cleaner Degreaser Joy®, Proctor & Gamble Windex, Drackett Products Palmolive, Colgate Palmolive

(*): Due to the vast number of cleaning products available on the market, the list of recommended products above is an illustration only

Note:

- Do not use abrasive cleaning agents
- Do not use sharp tools to remove dirt (chewing gum, glue, etc.)
- Do not use solvents based with Ketones, benzene, methanol, toluene (also known as methylbenzene or phenyl methane) or alkaline and ammonia based cleaning agents
- Do not use cleaning agents at high temperatures
- Do not leave cleaning agents on the parts for long periods: remove immediately after cleaning using a wet cotton cloth and warm water
- Do not use dry cotton cloths and sponges