

Dewhurst M-20 Hidden Legend

M-20 Hidden Legend indicators are designed to be used with and compliment Dewhurst M-20 pushbuttons. LED back lighting of the pressel ensures a brilliant and clearly illuminated legend/symbol, easily visible at long distances and from wide angles.

Features & Benefits

- Studless mounting
- Low profile (< 20.0 mm)
- LED illumination for long life (100,000+ hours)
- Wide range of illumination colours available
- Wide range of voltage options available
- Range of pressel legends/symbols available
- Matching range of pushbuttons and key switches
- Can accommodate 1.0 mm to 3.0 mm faceplates
- Surround options available to match pushbutton or key switch (standard charcoal)
- Meets EN81-1/2, EN81-70, EN81-73 (No Entry), EN60529 (IP54)

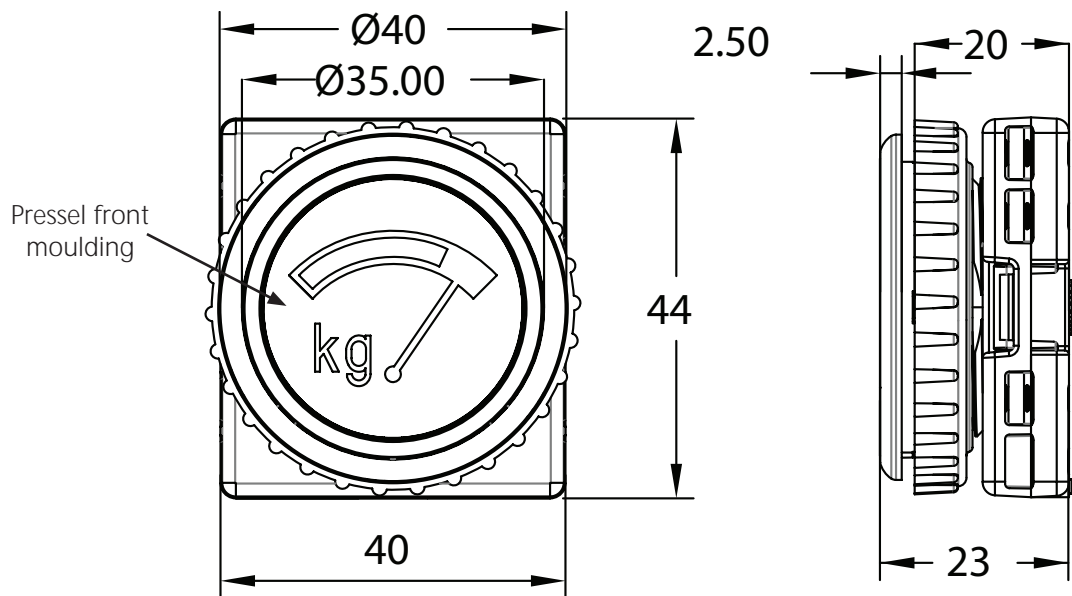


Illumination, Finishes & Marking

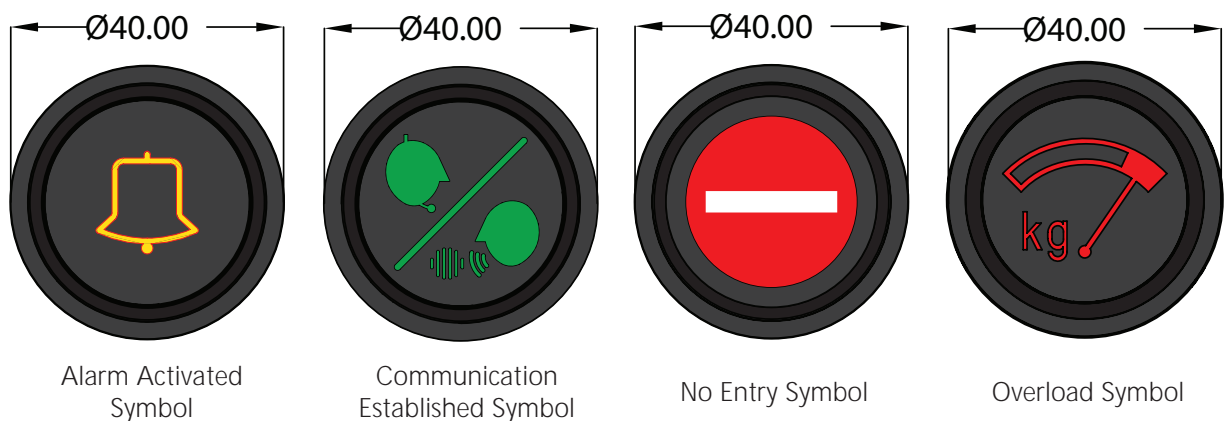
- Wide range of colours for illumination including red, yellow, green, blue and white
- Range of surround finishes - satin chrome, mirrored chrome, brass, charcoal & black (standard)
- A range of pressel legends & symbols are available*

*Pressels front moulded in grey polycarbonate

Dimensions



Some examples of symbols available. Text or text & symbols are also available.

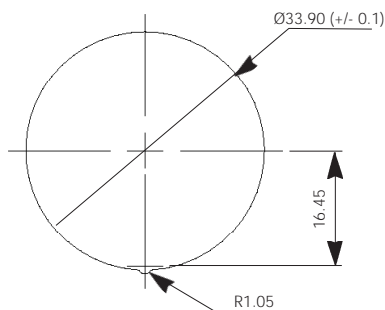


M-20 Hidden Legends can be supplied loose or incorporated into stations with 1.0mm to 2.5mm stainless steel faceplates. Nominal mounting vertical & horizontal pitch is 50mm. If M-20 Hidden Legends are supplied loose, no spacers are required to accommodate the differing faceplate thickness.

Technical Details

Weight:	35grms
Moulded in:	High grade polycarbonate (flame retardant)
Hidden legend overall size:	40.0mm w x 44.0mm h x 42.0mm d
LED colours:	Red, yellow, green, blue and white
LED current:	20mA (typically)
LED voltage:	6V, (only available in red and yellow) 12V or 24V
Pressel size:	Ø35.0 mm
Pressel plate material:	High grade polycarbonate in grey
Surround finish:	Black (standard), satin chrome, mirrored chrome, brass, charcoal (optional)
Code compliance:	Meets EN81-20/50, EN81-70 & EN81-73 (No Entry)
IP Rating:	EN60529 (IP54) frontal presentation

Cutouts Details



Cleaning your M-20 Hidden Legend

Many **Dewhurst** lift products are made of **polycarbonate** (Using GE's **Lexan®** or Bayer's **Makrolon®**).

The M-20 is highly durable but the plastic parts can be damaged by aggressive cleaning agents, Dewhurst therefore recommends:



Clean the part with a **cotton cloth and warm water** before applying the cleaning product



Use **PH-neutral or slightly acid cleaning products only** (including aromatised ones) Ethylic alcohol, isopropyl alcohol or ethylene glycol based multipurpose cleaning products and dish soaps are suggested.



Dilute the cleaning product in warm water and apply using a wet cotton cloth.



Grease, glue and paint may be removed with ethylic alcohol or isopropyl alcohol.

Recommended Cleaning Products (*):

Europe	North America
Windus - Brial Top - Ecolab Mr. Proper Surfaces Delicates - Proctor & Gamble Palmolive, Colgate Palmolive	Formula 409® Cleaner Degreaser Joy®, Proctor & Gamble Windex, Drackett Products Palmolive, Colgate Palmolive

(*): Due to the vast number of cleaning products available on the market, the list of recommended products above is an illustration only

Note:

- Do not use abrasive cleaning agents
- Do not use sharp tools to remove dirt (chewing gum, glue, etc.)
- Do not use solvents based with Ketones, benzene, methanol, toluene (also known as methylbenzene or phenyl methane) or alkaline and ammonia based cleaning agents
- Do not use cleaning agents at high temperatures
- Do not leave cleaning agents on the parts for long periods: remove immediately after cleaning using a wet cotton cloth and warm water
- Do not use dry cotton cloths and sponges