

MODS
ISSUE
H
DRG UPDATED
TO MATCH
ISSUES
EKM 19/04/05
ECN4798

J
CONTACT
CONFIGURATION
"Y" ADDED.
CJH 06/06/05
ECN 4840

K
LABEL UPDATED
NOTE 7 ADDED
GPE
03/04/07
ECN5434

L
SHEET 2 ADDED
CJH
23/02/09
ECN5949

M
CONFIG 6029
ADDED
RKK
24/02/09
ECN5953

N
CONTACT
CONFIGURATION
"AF" & "AG"
ADDED
CJH
20/05/10
ECN6311

P
CONTACT
CONFIGURATION
"AH" ADDED
WG 01/08/13
ECN6994

Q
CONTACT
CONFIGURATION
"AI" ADDED
WG 22/01/14
ECN7062

R
CONTACT
CONFIGURATION
"AJ" "AK" & "AL"
ADDED
PB 12/01/17
ECN7628

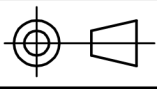
USED ON --

DRAWN FROM

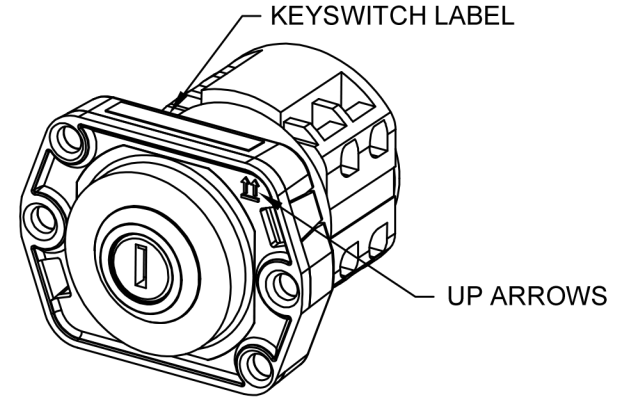
DIMS IN MILLIMETRES

BASED ON BS308

THIRD ANGLE PROJECTION



INSTALLATION INSTRUCTIONS



NOTE: WHEN THERE IS MORE THAN ONE KEYSWITCH IN A ROW THEY MAY REQUIRE WIRING BEFORE FIXING TO THE FACEPLATE

1) SPACERS INCLUDED ARE FOR USE AS FOLLOWS:

FACEPLATE THICKNESS	SPACERS REQUIRED
2.5mm	1.5mm & 0.5mm
3mm	1.5mm
4.5mm	NONE

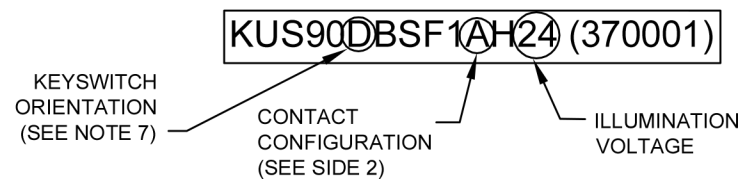
2) WHEN ASSEMBLING KEYSWITCH TO FACEPLATE ENSURE UP ARROWS ARE TO THE TOP

3) ASSEMBLE FIXING NUTS TO A TORQUE OF 1Nm USING A NUT DRIVER

4) WIRE KEYSWITCH AS REQUIRED (REFER TO CONTACT CONFIGURATION DIAGRAM ON REAR) TERMINALS SHOULD BE TIGHTENED TO 0.8 Nm, MAX WIRE GAUGE 2x2.5mm²

5) ILLUMINATION CAN BE CONNECTED EITHER WAY

6) ILLUMINATION VOLTAGE AND SWITCH CONTACT CONFIGURATIONS ARE SHOWN ON KEYSWITCH LABEL AS BELOW



7) FOR ROTATED KEYSWITCH FIXINGS ARE NORTH/SOUTH (ARROWS ON BODY SHOULD BE TO THE RIGHT):

STANDARD - D
ROTATED - R

P.T.O.

NP728 ISS Q

SWITCH CONTACT CONFIGURATIONS
LETTER IN SPEECH MARKS (ie "A") IS SAME AS ON KEYSWITCH LABEL

"A"	KEY POSITION	"B"	KEY POSITION	"C"	KEY POSITION	"D"	KEY POSITION
CONTACT	0° 90° 180° 270°	CONTACT	0° 90° - -	CONTACT	0° 90° - -	CONTACT	0° - - 270°
1-2	O C - -	1-2	O C - -	1-2	O C - -	1-2	O - - C
3-4	O C - -	3-4	O C - -	3-4	C O - -	3-4	O - - C
-	- - - -	5-6	O C - -	5-6	O C - -	-	- - - -
-	- - - -	7-8	O C - -	7-8	C O - -	-	- - - -
MOVEMENT 90°		MOVEMENT 90°		MOVEMENT 90°		MOVEMENT 90°	
"E"	KEY POSITION	"F"	KEY POSITION	"G"	KEY POSITION	"H"	KEY POSITION
CONTACT	0° - - 270°	CONTACT	0° - - 270°	CONTACT	0° 90° 270° -	CONTACT	0° 90° 270° -
1-2	O - - C	1-2	O - - C	1-2	O C O -	1-2	O C O -
3-4	O - - C	3-4	C - - O	3-4	O O C -	3-4	C O O -
5-6	O - - C	5-6	O - - C	-	- - - -	-	- - - -
7-8	O - - C	7-8	C - - O	-	- - - -	-	- - - -
MOVEMENT 90°		MOVEMENT 90°		MOVEMENT 180°		MOVEMENT 180°	
"I"	KEY POSITION	"J"	KEY POSITION	"K"	KEY POSITION	"L"	KEY POSITION
CONTACT	0° 90° 270° -	CONTACT	0° 90° 270°	CONTACT	0° 90° 180° 270°	CONTACT	0° 90° 180° 270°
1-2	O C O -	1-2	O C O -	1-2	O C O C	1-2	C O O C
3-4	C O C -	3-4	O C O -	3-4	C O C O	3-4	O O O C
5-6	O O C -	5-6	O O C -	-	- - - -	-	- - - -
7-8	C C O -	7-8	O O C -	-	- - - -	-	- - - -
MOVEMENT 180°		MOVEMENT 180°		MOVEMENT 360°		MOVEMENT 360°	
"M"	KEY POSITION	"N"	KEY POSITION	"P"	KEY POSITION	"Q"	KEY POSITION
CONTACT	0° 90° 180° 270°	CONTACT	0° 90° 180° 270°	CONTACT	0° 45° - -	CONTACT	0° 45° - -
1-2	O C C C	1-2	O C C C	1-2	O C - -	1-2	O C - -
3-4	C C O C	3-4	C C O C	3-4	O C - -	3-4	C O - -
5-6	C O O O	5-6	O C C C	-	- - - -	-	- - - -
7-8	O O C O	7-8	C C O C	-	- - - -	-	- - - -
MOVEMENT 360°		MOVEMENT 360°		SPRING RETURN TO 0°		SPRING RETURN TO 0°	
"R"	KEY POSITION	"S"	KEY POSITION	"T"	KEY POSITION	"U"	KEY POSITION
CONTACT	0° 45° - -	CONTACT	0° 45° 315° -	CONTACT	0° 90° 270° -	CONTACT	0° 45° 315° -
1-2	C O - -	1-2	O C O -	1-2	C O O -	1-2	O C C -
3-4	C O - -	3-4	O C O -	3-4	O C O -	3-4	C O O -
5-6	- - - -	5-6	O O C -	5-6	O O C -	-	- - - -
7-8	- - - -	7-8	O O C -	-	- - - -	-	- - - -
SPRING RETURN TO 0°		SPRING RETURN TO 0°		MOVEMENT 180°		SPRING RETURN TO 0°	
"V"	KEY POSITION	"W"	KEY POSITION	"X"	KEY POSITION		
CONTACT	0° 45° 90° 135° 180° 225° 270° 315°	CONTACT	0° 90° 180° 270°	CONTACT	0° 45° 315° -		
1-2	C O O O O O O O	1-2	C O O O	1-2	O C O -		
3-4	O O O O C O O O	3-4	O O C O	3-4	O C O -		
5-6	O C O O O O O C	5-6	O C O O	5-6	O C O -		
7-8	O O O O O C O O	7-8	O O O C	7-8	O O C -		
9-10	O O C O O O O O	MOVEMENT 360°		9-10	O O C -		
11-12	O O O O O O C O	"Y" KEY POSITION		11-12	O O C -		
13-14	O O O C O O O O	CONTACT	0° 90° 180° -	SPRING RETURN TO 0°			
15-16	O O O O O O O C	1-2	O C O -				
MOVEMENT 360°		3-4	C O C -				
		5-6	O O C -				
		7-8	C C O -				
		MOVEMENT 180°					

A4 BOARDER
SHEET 1 OF 2

THE DESIGN AND MANUFACTURING INFORMATION
HEREON IS THE EXCLUSIVE RIGHT OF:



INVERNESS ROAD, HOUNSLOW, TW3 3LT

TITLE KEYSWITCH INSTALLATION INSTRUCTIONS

MAT'L A5 PAPER DOUBLE SIDED

FINISH BLACK INK ON WHITE

SCALE DRN G EVANS

CHKD

APPVD

DATE 02-12-03

GENERAL M/C TOLERANCES
ANG DIMS: ±1/2° METRIC: 5 ±0.5mm
IMP. FRACTIONAL DIMS: ±1/64" 5.0 ±0.3mm
IMP. DECIMAL DIMS: ±0.005 5.00 ±0.1mm

DRG No SHEET 1 OF 2

NP728

RED FILL = ORIGINAL
BLACK FILL = COPY



MODS
ISSUE

REFER TO
SHEET 1 FOR
CHANGES

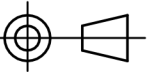
USED ON --

DRAWN FROM

DIMS IN MILLIMETRES

BASED ON BS308

THIRD ANGLE PROJECTION



SWITCH CONTACT CONFIGURATIONS
LETTER IN SPEECH MARKS (ie "A") IS SAME AS ON KEYSWITCH LABEL

"Z"	KEY POSITION	"AA"	KEY POSITION	"AB"	KEY POSITION	"AC"	KEY POSITION
CONTACT	0° 90° - -	CONTACT	0° 90° - -	CONTACT	- 90° 180° -	CONTACT	0° 90° - 270°
1-2	C O - -	1-2	C O - -	1-2	- C C -	1-2	O O - C
3-4	O C - -	3-4	O C - -	3-4	- O C -	3-4	C O - O
-	- - - -	5-6	C O - -	-	- - - -	5-6	O C - O
-	- - - -	7-8	O C - -	-	- - - -	7-8	C C - C
MOVEMENT 90°		MOVEMENT 90°		MOVEMENT 90°-180°		MOVEMENT 180°	

"AD"	KEY POSITION	"AE"	KEY POSITION	"AF"	KEY POSITION	"AG"	KEY POSITION
CONTACT	330° 345° 0° 15° 30°	CONTACT	0° 45° - 315°	CONTACT	0° 30° - -	CONTACT	0° 90° - -
1-2	O O O O C	1-2	C O - O	1-2	O C - -	1-2	O C - -
3-4	C O O O O	3-4	C O - O	3-4	O C - -	3-4	C O - -
5-6	O O O O C	5-6	O C - O	5-6	- - - -	5-6	- - - -
7-8	C O O O O	7-8	O C - O	7-8	- - - -	7-8	- - - -
9-10	O O C C C	9-10	O O - C	MOVEMENT 30°		MOVEMENT 90°	
11-12	C C C O O	11-12	O O - C				
MOVEMENT 60°		MOVEMENT 60°					

"AH"	KEY POSITION	"AI"	KEY POSITION
CONTACT	0° 45° - -	CONTACT	0° 90° - 270°
1-2	O C - -	1-2	O O - C
3-4	C O - -	3-4	C C - O
5-6	O C - -	5-6	C O - O
7-8	C O - -	7-8	O C - C
SPRING RETURN TO 0°		9-10	O C - O
		11-12	C O - C
		MOVEMENT 180°	

DNI-6834-G2 (004042-006834) KLN CODE CAB GR1220HIZ	
"AJ"	KEY POSITION
CONTACT	0° 45° 90° 135° 180°
1-2	C O O O O O
3-4	O O O O C
5-6	O C O O O
7-8	O O O O O
9-10	O O C O O
11-12	O O O O O
13-14	O O O C O
15-16	O O O O O
MOVEMENT 180°	

DNI-6835-G2 (004042-006835) KLN CODE CAB GR1220HIZ	
"AK"	KEY POSITION
CONTACT	0° 45° 90° 135° 180° 225°
1-2	C O O O O O
3-4	O O O O C O
5-6	O C O O O O
7-8	O O O O O C
9-10	O O C O O O
11-12	O O O O O O
13-14	O O O C O O
15-16	O O O O O O
MOVEMENT 225°	

DNI-6836-G2 (004042-006836) KLN CODE CAB GR1220HIZ	
"AL"	KEY POSITION
CONTACT	0° 45° 90° 135° 180° 225° 270°
1-2	C O O O O O O
3-4	O O O O C O O
5-6	O C O O O O O
7-8	O O O O O C O
9-10	O O C O O O O
11-12	O O O O O O C
13-14	O O O C O O O
15-16	O O O O O O O
MOVEMENT 270°	

NP728 ISS Q

A4 BOARDER
SHEET 2 OF 2

THE DESIGN AND MANUFACTURING INFORMATION
HEREON IS THE EXCLUSIVE RIGHT OF:



INVERNESS ROAD, HOUNSLOW, TW3 3LT

TITLE
KEYSWITCH INSTALLATION INSTRUCTIONS

MAT'L
A5 PAPER DOUBLE SIDED

FINISH
BLACK INK ON WHITE

SCALE
DRN C.J.HEWITT

CHKD

APPVD

DATE 23/02/09

GENERAL M/C TOLERANCES
ANG DIMS: ±1/2° METRIC: 5 ±0.5mm
IMP. FRACTIONAL DIMS: ±1/64" 5.0 ±0.3mm
IMP. DECIMAL DIMS: ±0.005 5.00 ±0.1mm

DRG No SHEET 2 OF 2

NP728

RED FILL = ORIGINAL
BLACK FILL = COPY

